

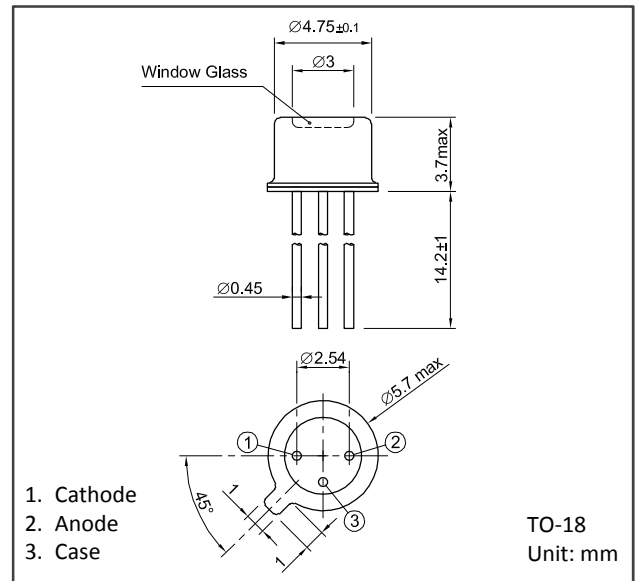
Si Avalanche Photodiode KPDA020P-H8/KPDA050P-H8/KPDA100P-H8

Features

- 1.3GHz response with 0.2mm dia.
- 1.2GHz response with 0.5mm dia.
- 0.6GHz response with 1.0mm dia.
- High gain

Applications

- Short wavelength optical communications
- Optical measurement
- Optical sensors
- Weak light signal detection



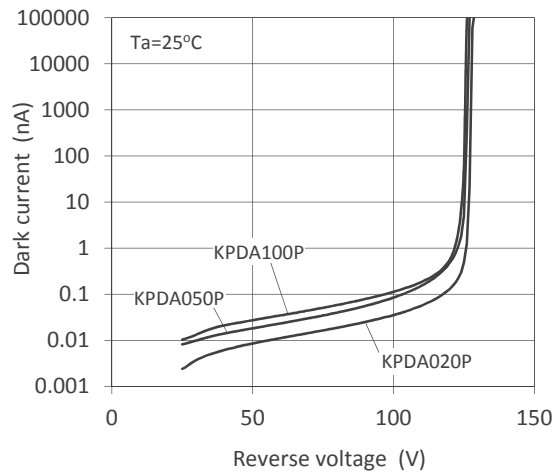
Absolute Maximum Ratings

Parameter	Symbol	Value	Unit	Note
Reverse current	I_R	200	μA	
Forward current	I_F	10	mA	
Operating temperature	T_{opr}	-40 to +85	$^{\circ}C$	Avoid dew condensation
Storage temperature	T_{stg}	-40 to +125	$^{\circ}C$	Avoid dew condensation

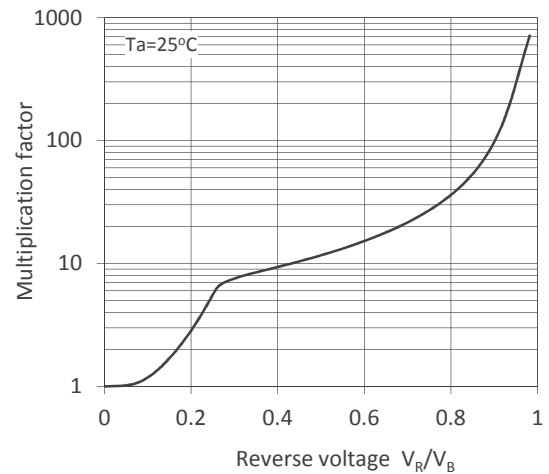
Electrical and Optical Characteristics (Ta=25 $^{\circ}C$ unless otherwise noted)

Parameter	Symbol	Min.	Typ.	Max.	Unit	Test Conditions
Active diameter	KPDA020P	0.2			mm	
	KPDA050P	0.5				
	KPDA100P	1.0				
Sensitive wavelength	λ	400	-	1000	nm	
Responsivity	R	0.40	0.45	-	A/W	M=1, $\lambda=850nm$
Breakdown voltage	V_B	80	120	200	V	$I_R=100\mu A$
Temperature coefficient of V_B	V_{BR}	-	0.55	-	V/ $^{\circ}C$	
Dark current	KPDA020P	-	10	200	pA	$V_R=50V$
	KPDA050P	-	20	500		
	KPDA100P	-	30	1000		
Terminal capacitance	KPDA020P	-	0.6	1.2	pF	$V_R=0.9V_B$, f=1MHz
	KPDA050P	-	1.7	3.0		
	KPDA100P	-	5.5	7.0		
Cutoff frequency	KPDA020P	-	1.3	-	GHz	M=100, $R_L=50\Omega$, $\lambda=850nm$
	KPDA050P	-	1.2	-		
	KPDA100P	-	0.6	-		

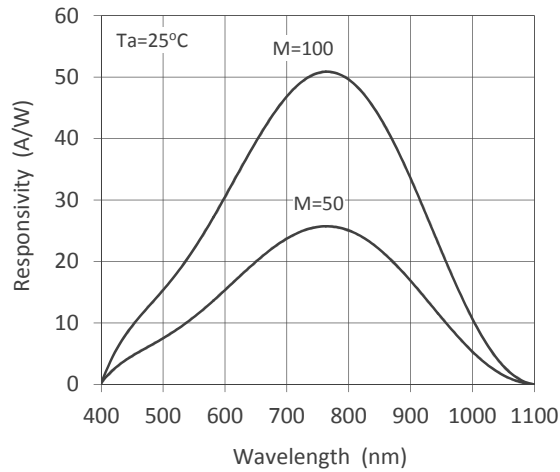
Dark Current - Reverse Voltage



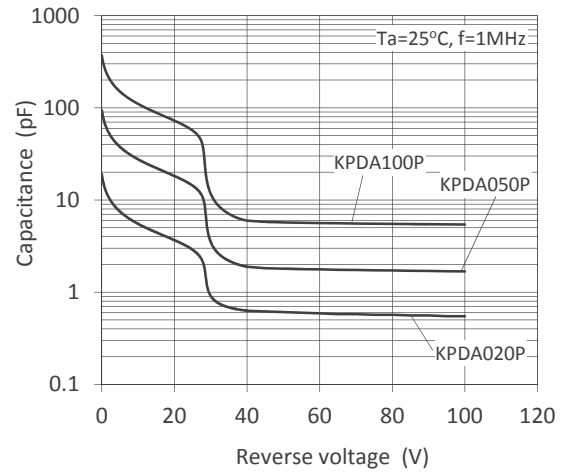
Multiplication Factor



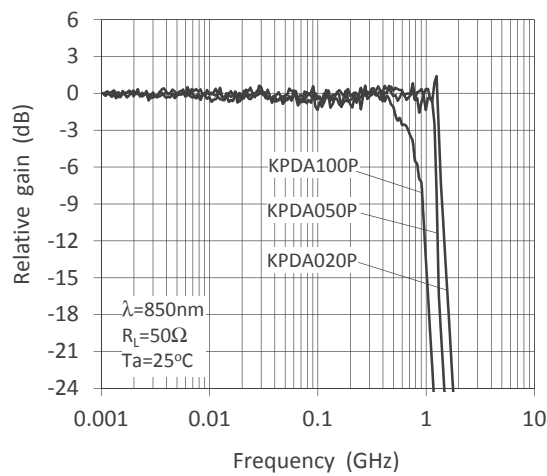
Spectral Responsivity



Capacitance - Reverse Voltage



Frequency Response



- Specifications , characteristics, data, materials, structures specified in this datasheet are subject to change without notice. Please refer to the latest specification before use of the products.
- Products listed in this datasheet comply with the RoHS Directive (EU2002/95/EC).

Opto-technologies for the Future



KYOSEMI CORPORATION

<http://www.kyosemi.co.jp/>

Headquarters : 949-2 Ebisucho Fushimi-ku, Kyoto 612-8201 Japan

TEL: +81-75-605-7311

Tokyo Sales Office: 24th Sky Bldg.2F, 1-34-3 Shinjuku Shinjuku-ku, Tokyo 160-0022 Japan

TEL: +81-3-5312-5360

Kansai Sales Office: 949-2 Ebisucho Fushimi-ku, Kyoto 612-8201 Japan

TEL: +81-75-605-7311

Kyosemi Opto America Corp: 4655 Old Ironsides Suite 230 Santa Clara, California 95054 USA

TEL: +1-408-492-9361

Eniwa Operation: 385-31 Toiso Eniwa-shi, Hokkaido 061-1405 Japan

TEL: +81-123-34-3111

Kamisunagawa Operation: 70-1 Kamisunagawa Kamisunagawa-cho Sorachi-gun, Hokkaido 073-0200 Japan

TEL: +81-125-62-3611